

SL-C310

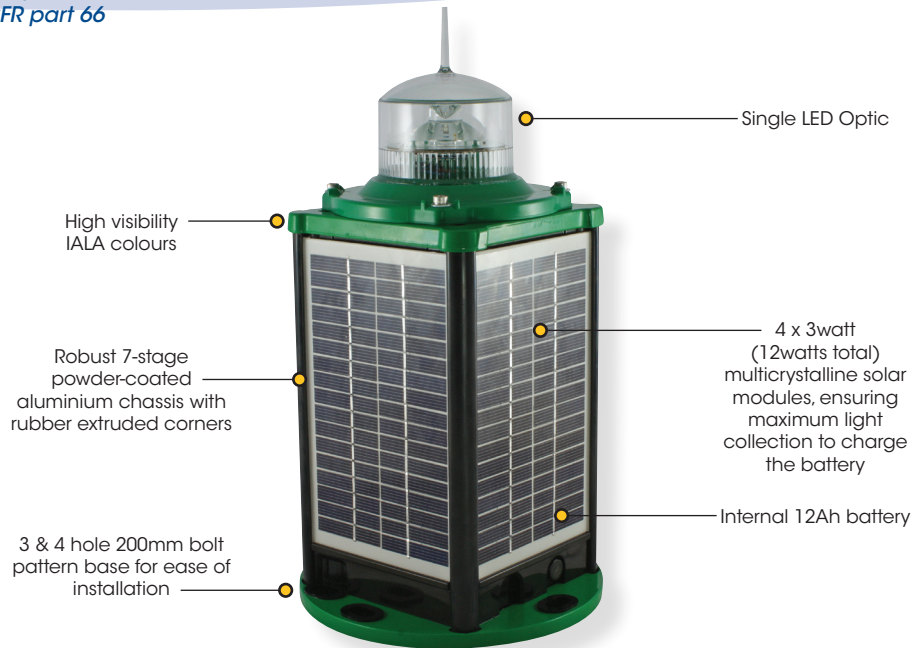
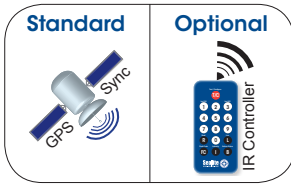
3-5NM+ Solar Marine Lantern

V2_2014

This equipment complies with requirements of the U.S. Coast Guard in 33 CFR part 66

Next Generation

Single LED Optic ...
Brighter, more efficient



The Sealite Advantage

- IR programmable
- Fitted with on-board GPS as standard for synchronised flashing
- Single, high powered LED for superior light output
- Simplicity of design ensures ease of maintenance in the field
- Heavy-duty aluminium construction
- All components user-replaceable in the unlikely event of damage
- 200mm bolt pattern for immediate installation on existing structures
- User-replaceable battery
- 256 IALA flash patterns
- IP68 waterproof
- 3 year warranty

The SL-C310 is a robust, completely self-contained 3-5NM+ Solar LED Lantern specifically designed to withstand the tough marine environment, providing years of reliable, low-maintenance service. The 3 & 4 hole bolt pattern base fits directly onto existing 200mm bolt pattern industry standard mounts for ease of installation.

The SL-C310 uses the Sealite single-LED optic, and provides the highest power to light output ratio of any light in its class, making it brighter and more efficient.

The base and top of the SL-C310 are made from cast aluminium, subject to 7-stage powder-coating in high visibility IALA colours for daytime recognition, with UV-stabilised rubber corners and gaskets providing a superior IP68 waterproof rating – the best in the industry.

Four (4) premium-grade solar modules are integrated into the assembly, and mounted to collect sunlight at all angles.

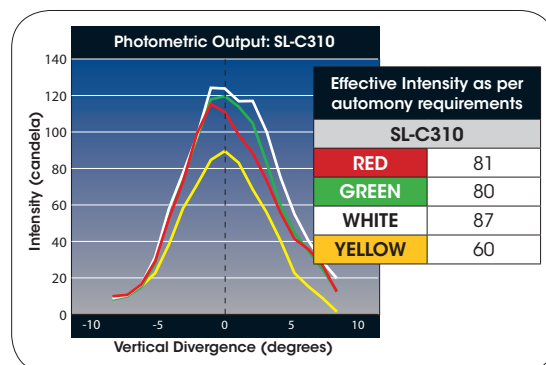
The tough, polycarbonate lens is specifically designed for use with LEDs and incorporates an environment-friendly spike – deterring unwelcome bird life. The lens design also ensures that vessel operators clearly see the light from above when passing the AtoN.

The SL-C310 comes with standard rotary switches for convenient in-field changes of flash characters and intensity selection. In addition, the unit may be provided with an IR programmer for added functionality. Programmable features include; flash code adjustment, battery diagnostics, intensity adjustment and lux adjustment.

GPS Synchronisation

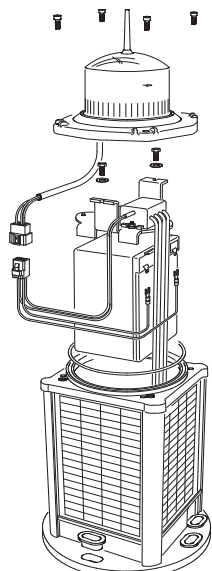
Sealite has utilised the latest advancements in GPS technology to develop an internal synchronisation system that is incorporated into the SL-C310 lantern. Using overhead satellites, lights set to the same flash pattern will flash in unison.

When lanterns flash in synchronisation they can be clearly distinguished from other nav aids and confusing background lighting – ideal for rivers, marina entrances, channel marking and aquaculture.

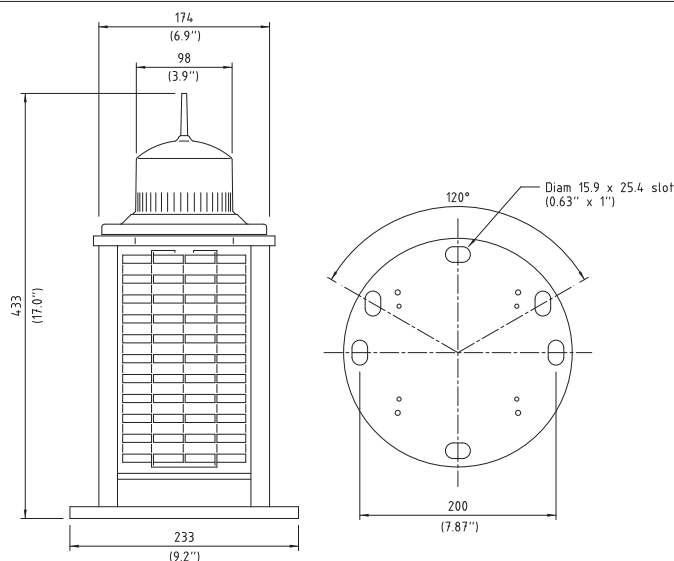


SL-C310

3-5NM+ Solar Marine Lantern



Convenient user-replaceable battery



Morocco



United Arab Emirates



Singapore

SPECIFICATIONS * SL-C310

Light Characteristics

Light Source
Available Colours
Typical Maximum Flashing Intensity (cd)†
Visible Range (NM)
Horizontal Output (degrees)
Vertical Divergence (degrees)
Available Flash Characteristics
Intensity Adjustments
LED Life Expectancy (hours)

1 LED
Red, Green, White, Yellow, Blue
Red - 121 Green - 88 White - 156 Yellow - 95
3-5+
360
>7
Up to 256 IALA recommended (user adjustable)
Multiple intensity settings
>100,000

Electrical Characteristics

Night Off Current (Eclipse) (mA)
Day Off Current (mA)
Circuit Protection
Nominal Voltage (V)
Autonomy (nights)
Temperature Range

2.5
0.6
Integrated
12
>60 (14 hour darkness, 12.5% duty cycle)
-40 to 80°C

Solar Characteristics

Solar Module Type
Output (watts)
Charging Regulation

Multicrystalline
12 (4 x 3watt)
Microprocessor controlled

Power Supply

Battery Type
Battery Capacity (Ah)
Nominal Voltage (V)
Battery Service Life

SLA (Sealed Lead Acid)
12
12
Average 5 years

Physical Characteristics

Body Material

7-stage powder-coated aluminium chassis with UV-stabilised rubber corners & gaskets

Lens Material
Lens Diameter (mm/inches)
Lens Design
Mounting
Height (mm/inches)
Width (mm/inches)
Mass (kg/lbs)
Product Life Expectancy

LEXAN® Polycarbonate - UV-stabilised
98 / 3 7/8
Single LED Optic
3 & 4 hole 200mm bolt pattern
433 / 17
233 / 9 1/8
9.4 / 20 3/4
Up to 12 years

Certifications

CE
Quality Assurance
Waterproof

EN61000-6-3:1997, EN61000-6-1:1997
ISO9001:2008
IP68

Intellectual Property

Trademarks

SEALITE® is a registered trademark of Sealite Pty Ltd
3 years

Warranty *

Options Available

- 50mm pole mount adapter plate
- IR Controller
- External ON/OFF Switch
- External Battery Charging Port
- GPS Synchronisation: enable/disable
- 5° Lens



* Specifications subject to change or variation without notice
* Subject to standard terms and conditions
† Intensity setting subject to solar availability

