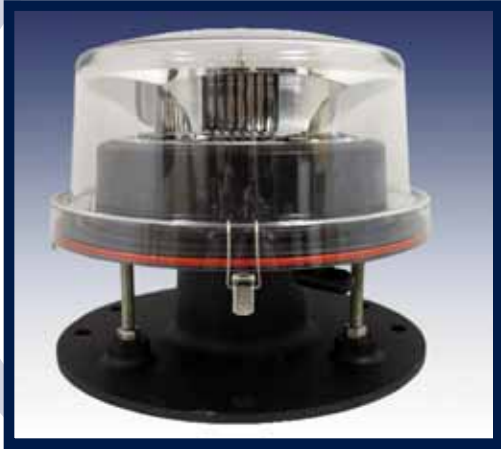




D264 SERIES LED BASED

Medium Intensity Red Beacon

FAA Type L864



Certified to: FAA AC NO: 150/5345-43F
Canadian Aviation Regulation CAR 621.9
(Transport Canada)

Compliant to: ICAO
(Annex 14 - Fourth Edition, July 2004)

FEATURES / BENEFITS

- ▲ 5 year performance warranty
- ▲ Designed to replace 300mm incandescent obstruction lighting fixtures with state of the art high flux LED technology
- ▲ Modular design for simple replacement of light engine
- ▲ Can be flashed or steady burned (controller not supplied)
- ▲ Uses 90% less energy than an incandescent
- ▲ Weighs less than 32 lbs.
- ▲ Meets or exceeds industry EMI/RFI standards
- ▲ Lasts years longer than an incandescent
- ▲ Beacon designed to mount onto existing bolt pattern installations
- ▲ Resistant to shock and vibration
- ▲ IP66 / NEMA 4X rated



APPLICATION

- ▲ The Dialight D264 Series LED based medium intensity red beacon utilizes state-of-the-art optical design to achieve the most compact, efficient, FAA compliant L864 device in the market. While it readily interfaces into existing installations, its robust, low power design will provide years of maintenance-free service.

OPERATING CONDITIONS

- ▲ The beacon is designed to withstand the dynamic conditions experienced in the most severe environments around the world.
- ▲ Temperatures ranging from -40 to +55 degrees Celsius, direct sunlight, wind blown rain, wind in excess of 150mph, high humidity, salt fog.

MATERIALS/FINISH

- ▲ The Beacon is designed for durability with a cast aluminum base stainless steel hardware. The dome is made of UV resistant acrylic and sealed to ensure maximum life of the product.

Dialight Europe Ltd.

Exning Road, Newmarket, England, CB8 0AX
Tel: +44 (0) 1638 666541 • Fax: +44 (0) 1638 561735
www.dialight-obstruction-lights.com



A Subsidiary of Dialight PLC



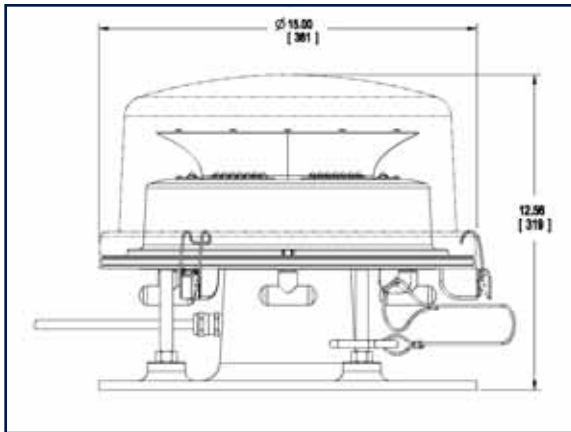
Dialight Corporation

1501 Route 34 South • Farmingdale, NJ 07727 USA
Tel: (1) 732-919-3119 • Fax: (1) 732-751-5778
www.dialight.com

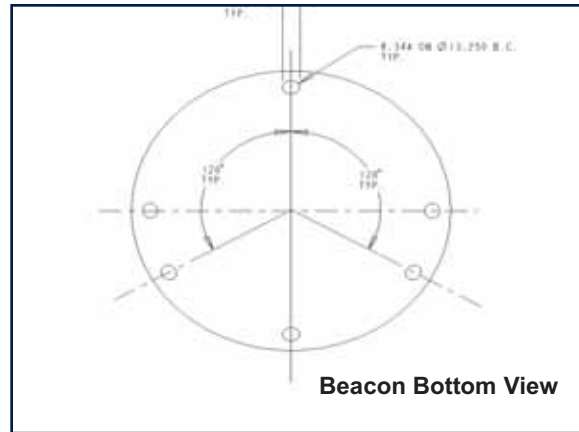


MDTF264X001_H

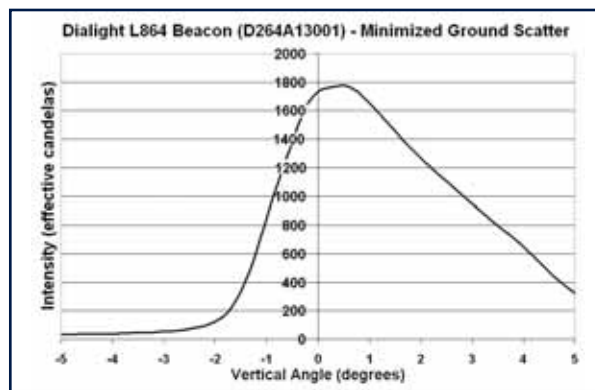
MECHANICAL DIMENSIONS



MOUNTING INFORMATION



PHOTOMETRIC DATA



ORDERING INFORMATION

Product	Description
D264-A13-001	Beacon, Red, 120/240 VAC
D264-1011	Replacement Module, 120/240 VAC
D264-A14-001	Beacon, Red, 48 VDC
D264-1013	Replacement Module, 48 VDC

WEIGHTS & MEASUREMENTS

Part Number	Approx. Shipping Weight	Container Dimensions
D2 Series	32 lbs (12.70 kg)	24" x 24" x 24" (600x600x600 mm)

UNIT ELECTRICAL SPECIFICATIONS

	OPERATING VOLTAGE			Current (Amps)			VOLT AMPS (VA)			WATTS
	Min	Typ	Max	Min	Typ	Max	Min	Typ	Max	Typ
120/240 VAC UNITS	85	120/240	265	0.2	-	0.8	40	48	70	48

Dialight Europe Ltd.

Exning Road, Newmarket, England, CB8 0AX
 Tel: +44 (0) 1638 666541 • Fax: +44 (0) 1638 561735
 www.dialight-obstruction-lights.com

 A Subsidiary of Dialight PLC



Dialight Corporation

1501 Route 34 South • Farmingdale, NJ 07727 USA
 Tel: (1) 732-919-3119 • Fax: (1) 732-751-5778
 www.dialight.com



MDTF264X001_H